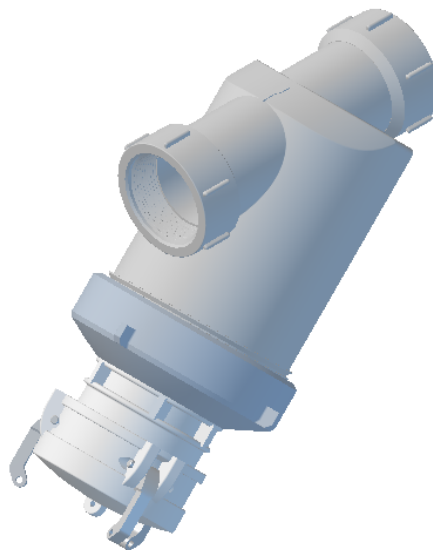




BEE VALVE INC.

300A-ADC 3" QUICK CLEAN HIGH CAPACITY Y-STRAINER



MATERIAL - GLASS REINFORCED POLYPROPYLENE BODY AND CAPS
- NYLON ADAPTER
- 316 SS SCREEN, LOCKS AND PINS
- EPDM GASKET
-VITON O-RING